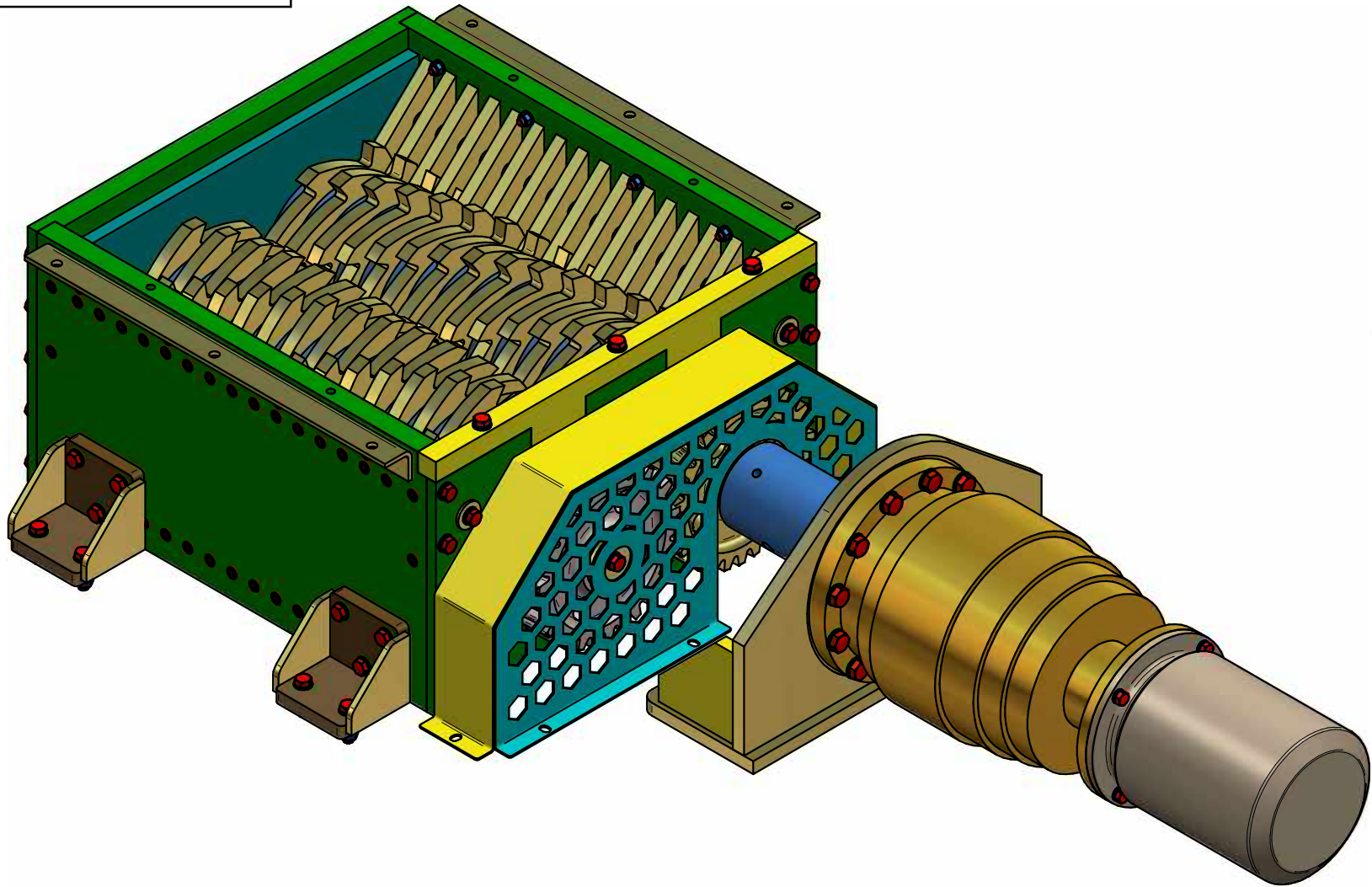


PRIMARY METAL SHREDDER



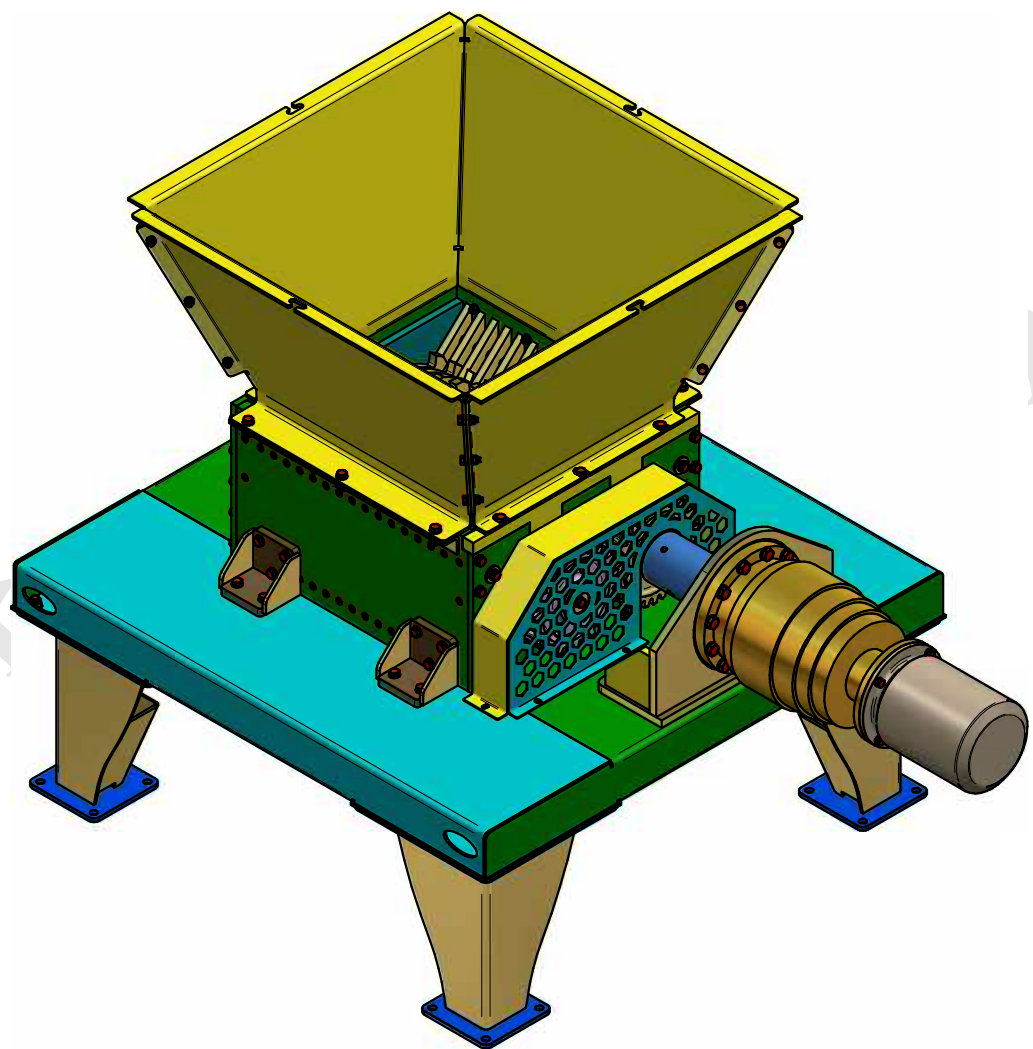
S

*Any Reproduction
is Prohibited.*

| Revision | Drawn by | Date | Checked by | Approved by | Scale |
|----------|----------|------------|------------|-------------|--------|
| 0 | CPB | 12.08.2020 | CPB | CPB | N.T.S. |

| | | | |
|---|--|--------------------------------|-----------------|
| SHAKTI MINING EQUIPMENTS PVT. LTD. W 140/143-A, M.I.D.C., AMBAD, NASHIK 422 010 INDIA. E-mail: purchase@shaktimining.com Ph.: 91-253-2382755, 2381041 (FAX: 91-253-2381040) | | TITLE : PRIMARY METAL SHREDDER | |
| DRG. No. : | | Edition 0 | Sheet 1 of 2 |

PRIMARY METAL SHREDDER



KTI MINING NASHIK. Any Reproduction NING NASHIK Is Strictly Prohibited.

All Dimensions are in mm

| | | | | | |
|--|----------|--------------------|--------------------------------|--------------------|-----------------|
| Revision 0 | Drawn by | Date 12.08.2020 | Checked by CPB | Approved by CPB | Scale N.T.S. |
| SHAKTI MINING EQUIPMENTS PVT. LTD. W 140/143-A, M.I.D.C., AMBAD, NASHIK 422 010 INDIA. E-mail: purchase@shaktimining.com Ph.: 91-253-2382755, 2381041 (FAX: 91-253-2381040) | | | TITLE : PRIMARY METAL SHREDDER | | |
| DRG. No. : | | | | Edition 0 | Sheet 2 of 2 |