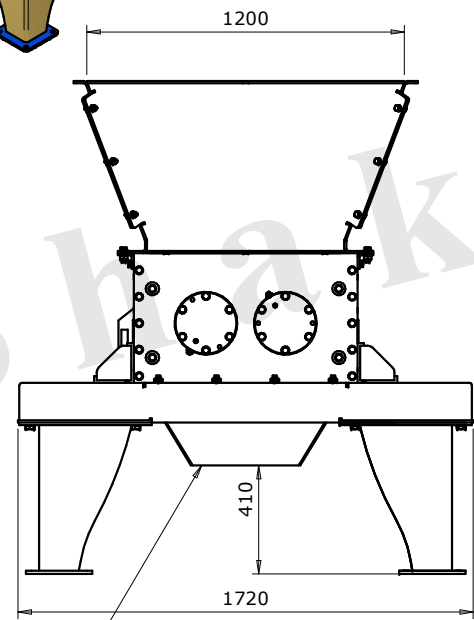
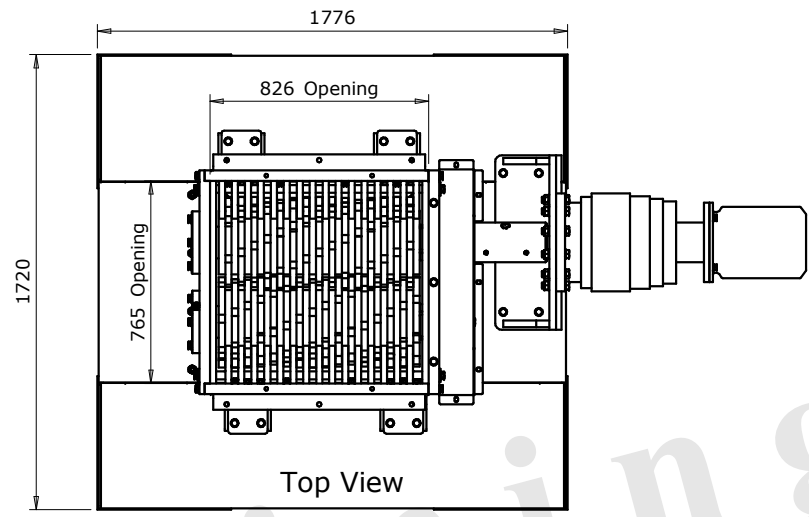


CRUSHING CHAMBER
FEEDING CHUTE

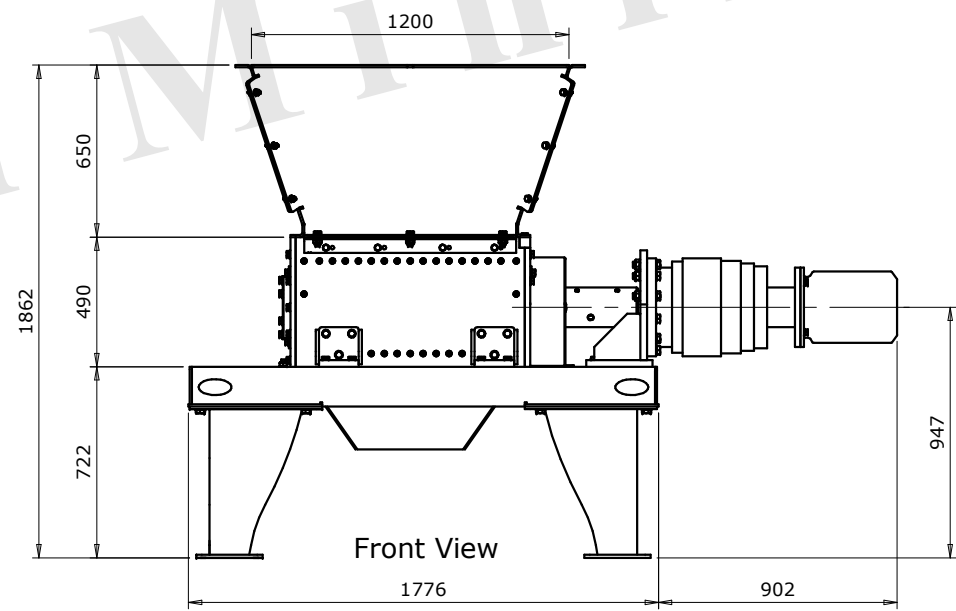
PLANETARY GEAR BOX
MOTOR 10 HP (7.5 KW)



DISCHARGE CHUTE
Side View



Top View



Front View

The Information Contained In This Drawing Is The Sole Property Of MS. SHAKTI MINING NASHIK. Any Reproduction In Part Or As A Whole Without The Written Permission Of MS SHAKTI MINING NASHIK Is Strictly Prohibited.

	Material:	Qty:	Treatment:		All Dimensions are in mm		
	Revision 0	Drawn by	Date 05.11.2019	Checked by CPB	Approved by CPB	Scale N.T.S.	
SHAKTI MINING EQUIPMENTS PVT. LTD. W 140/143-A, M.I.D.C., AMBAD, NASHIK 422 010 INDIA. E-mail: purchase@shaktimining.com Ph.: 91-253-2382755, 2381041 (FAX: 91-253-2381040)					TITLE : PRIMARY METAL & TYRE SHREDDER (MS750)		
					DRG. No. : MSA 750 GA	Edition 0	Sheet 01 of 01