

Since 1986



The Ultimate Crushing Solution

## SHCC SERIES GYRATORY HYDRAULIC CONE CRUSHERS



**SHCC - S (Secondary) 80 to 300 TPH**

**SHCC - T (Tertiary) 40 to 170 TPH**

### SALIENT FEATURES

- Quick installation NO RCC foundation required
- Optional mobile attachment for quick inter site movement
- Heavy duty skid with discharge conveyor
- High crushing capacities
- Tramp release accumulator
- Uniformity in output product
- Heavy duty cast steel shell
- Compact hydro-lube power pack with inbuilt safety features
- Electronically synchronized hydraulic & lubrication system
- Well equipped electrical panel with soft starter

SMAN SHCC gyratory hydraulic cone crushers are the ultimate solution for secondary & tertiary stage crushing to achieve uniform product size of hard rocks, ores and minerals.

SMAN SHCC crushers are designed as per the most advanced crushing techniques. The outer shells and other body components are made out of the finest quality steel castings and its robust design helps withstand high crushing loads. The main shaft and eccentric system is made out high grade forged alloy steel and a precise machining process helps in achieving an accurate Gyro Crushing action resulting in excellent cubical shape output & maintenance free operation.

All bearing bushes are designed on the basis of a very well engineered metallurgic composition minimizing frictional losses. The Concave and Mantle are cast out of high grade manganese steel and under go a fine machining process to fit the required parameters in order to achieve minimum wear and eliminate maintenance time. All Hydraulic and Rotary functions are synchronized and controlled by the Hydraulic and Electrical control panels. A very compact Hydraulic Power Pack controls all the Hydraulic and Lubrication systems.

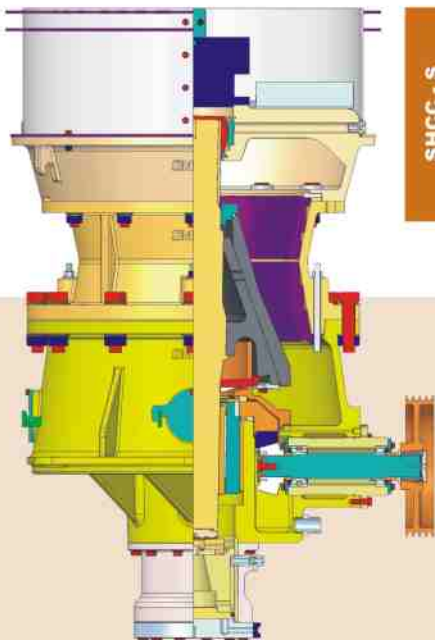
The heavy duty steel fabricated skid is fitted with a suitable discharge conveyor & Electrical motor drive system making it very convenient to install the whole crushing station in a very short time eliminating the need to build any concrete foundation. For intersite movement mobile type skid with a foldable discharge conveyor is also available as an option.

SMAN SHCC Cone Crushers are supplied inclusive of stationary skid, discharge conveyor, Hydro-Lube Power Pack, Electrical Control Panel with Motor and Soft Starter for instant installation.

## TECHNICAL DATA OF SHCC - S SECONDARY CONE CRUSHERS

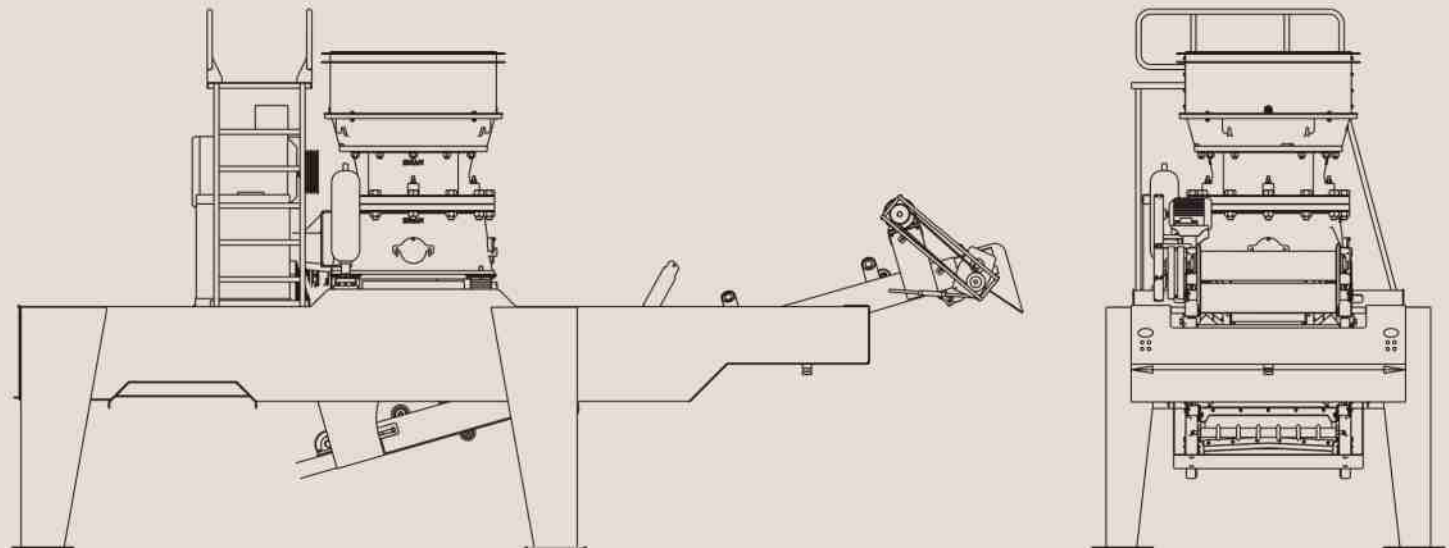
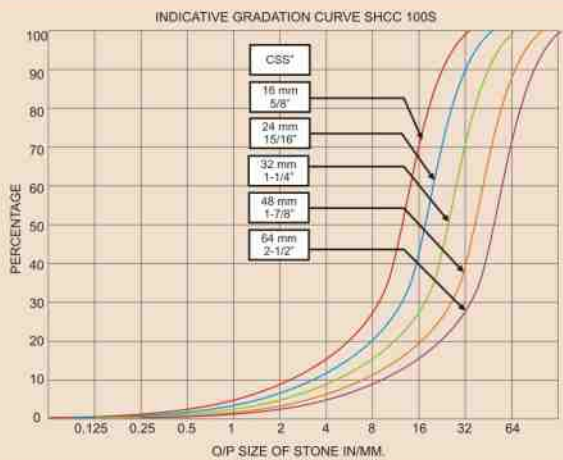
### CRUSHING CAPACITIES

**SHCC - S**



Model	Feed Size	Power	Setting (CSS)	Capacity t/h						
				20 mm	25mm	30 mm	35 mm	40 mm	45 mm	50 mm
SHCC 100S	100 mm	75 Kw	-	80-90	105-115	120-130	-	-	-	-
SHCC 200S	200 mm	90 Kw	-	-	120-130	145-155	160-180	170-200	-	-
SHCC 300S	250 mm	132 Kw	-	-	-	185-195	200-220	210-230	220-270	270-300

Capacities and minimum setting figures are indicative for materials with bulk density of 1.6t/m<sup>3</sup>.  
Actual results may vary depending on feed grading, rock type, moisture etc..

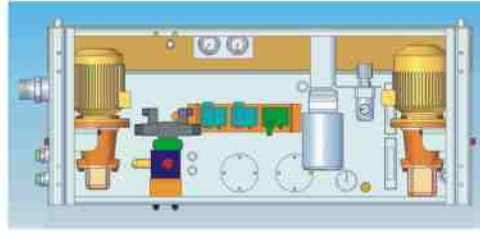


### ELECTRICAL CONTROL PANEL



Well equipped Electric Control Panel with soft starter, safety features & a Pendant remote for close stroke setting.

### HYDRO-LUBE POWER PACK



Hydraulic and lubrication power pack with suitable electric motors, hydraulic pumps, filters and gauges designed for trouble free operations

### AIR BLAST OIL COOLER



High capacity air blast oil cooler for optimum hydraulic efficiency even at high temperatures

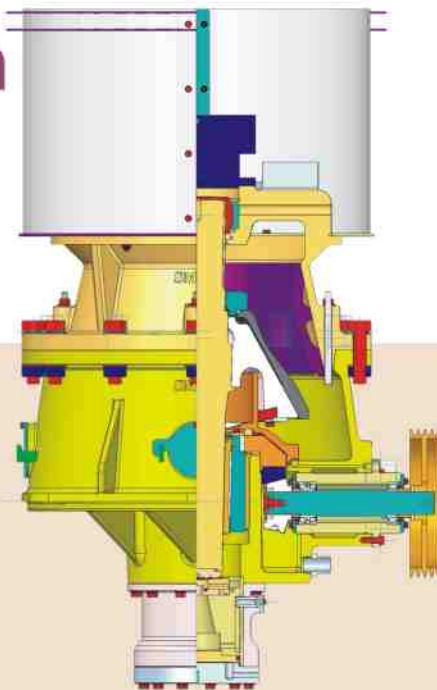
### TRAMP RELEASE ACCUMULATOR



Gas charged tramp release accumulator for better safety

## TECHNICAL DATA OF SHCC - T TERTIARY CONE CRUSHERS

### SHCC - T

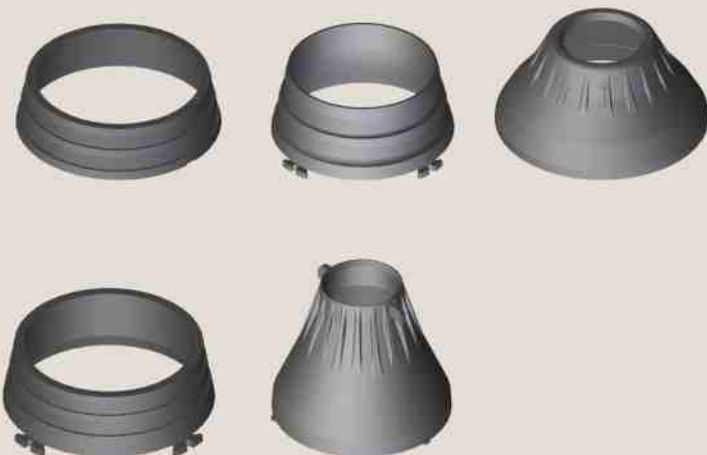
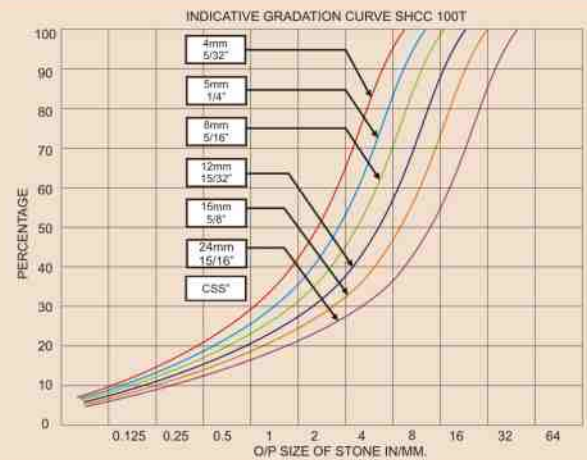


### CRUSHING CAPACITIES

Model	Feed Size	Power	Setting (CSS)	Capacity t/h						
				8 mm	10mm	15 mm	20 mm	25 mm	30 mm	35 mm
SHCC 100T	65 mm	75 Kw	-	40-50	45-55	60-70	-	-	-	-
SHCC 200T	100 mm	90 Kw	-	50-55	50-60	70-80	95-105	-	-	-
SHCC 300T	150 mm	132 Kw	-	-	55-65	75-90	105-120	120-150	130-170	-

Capacities and minimum setting figures are indicative for materials with bulk density of 1.6t/m<sup>3</sup>.

Actual results may vary depending on feed grading, rock type, moisture etc..



### CONSUMABLE & SPARE

The general consumables such as mantle & concave are cast out of high grade manganese steel & a very sophisticated quality control system ensures that the chemical & metallurgic compositions match the exact specifications & norms required to achieve maximum wear resistance against the toughest material to be crushed.

It is always recommended to use genuine **SMAN** consumable & spares to achieve the highest output with minimum maintenance the company maintains the stock for all the required consumables & spares at all times making it very convenient to ship them at the crushing site in the minimum possible time.



### COMPANY PROFILE

Shakti Mining Equipments Private Limited is a company engaged in manufacturing of mining and construction equipments in India. Today **SMAN** is a very much reputed brand in the construction & mining field **Since 1986**. SMAN brand products are giving outstanding performance at the site, with increased productivity and lowest operating cost. The company offers personal attention to each and every client right from understanding his needs and provides the correct products resulting in optimum performance and the most economical solutions along with the very modern technology. The company strives to maintain the balance between advanced technology and cost effectiveness of the products. Its associates are more productive, effective and competent than their peers at other companies. It believes in the saying '**Satisfied associates are better associates**'.

### QUALITY CONTROL

To achieve high standard and quality of product, a very reliable quality control system has been adopted by the company. All the raw materials are procured as per International standard of quality. During various production process such as machining, assembling, finishing etc., each and every part of the product is keenly and thoroughly inspected and checked by Quality Control Department. A special team of technically qualified engineers has been appointed from quality control dept in order to ensure and achieve best quality. As per the policy of the company, continuous research and development are carried out and new quality control techniques are adopted. The company has modern scientific quality control measuring equipments to check quality of its products, so as to ensure that the best quality and trouble free products are delivered to buyers.

### OTHER QUALITY PRODUCTS MANUFACTURED BY SHAKTI MINING EQUIPMENTS PVT. LTD.

**TRACK MOUNTED  
MOBILE SCREENING  
PLANTS**



**MOBILE PICK &  
CARRY CRANES**



**TANDEM HYDROSTATIC  
ROAD ROLLERS**



**STATIC  
ROAD ROLLERS**



**HEAD OFFICE & PLANT - I :**  
**SHAKTI MINING EQUIPMENTS PVT. LTD.**  
 W-140 to 143 (A), M.I.D.C. Industrial Area, Ambad,  
 Nasik - 422 010, Maharashtra, India.  
 PH:+91-253-2381041, 2382755 Fax : +91-253-2381040  
 E-mail: sales@shaktimining.com Website: www.shaktimining.com

**PLANT - II :**  
 D- 128 / 129, M.I.D.C. Sinnar, Malegaon, Sinnar,  
 Dist. Nasik - 422 113 Maharashtra, India.

Dealer :

Shakti Mining Equipments Pvt. Ltd. Reserves the rights to modify / change the designs / specifications of  
 sman cone crushers

MKT - CTG - CC - 002

ADVVIEW +91-253-2381611